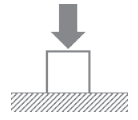




M36i



M36D



Features

M36i

Analog output
Stainless steel material
OIML approved
Capacity up to 50t

M36D

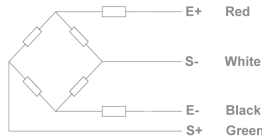
Digital output
Alloy steel material
optional s.s. material
Capacity up to 40t

IP68 protection class
Various weighing modules
Suitable for weighbridges and other weighing systems

Equivalent to the following models:

- HBM* C16A
- Mettler Toledo* 0782 (30t)
- Revere* ASC | ASC2
- Zemic* BM14G
- Flintec* RC3

**All those product names, logos, brands and other trademarks featured or referred to within this catalog are the property of their respective trademark holders.*



Technical Data

Capacity

M36i - 20-50t
M36D - 10-40t

Sensitivity

2.0 ± 0.01mV/V

Accuracy

C3

Creep (30 Min)

± 0.016 - 0.023%F.S.

Zero Balance

± 1.5% E_{max}

TE* Zero

± 0.011 - 0.017%FS/10 C

TE* Span

± 0.015 - 0.023%FS/10 C

Input Resistance

700 ± 10Ω

* TE=Temperature Effect

Output Resistance

700 ± 5Ω

Insulation Resistance

≥5000mΩ(100VDC)

Operating Tem Range

-35...70 C

Temp Compensation

-20...60 C

Safe Load

150% F.S.

Overload Limitation

200% F.S.

Recommended Excitation

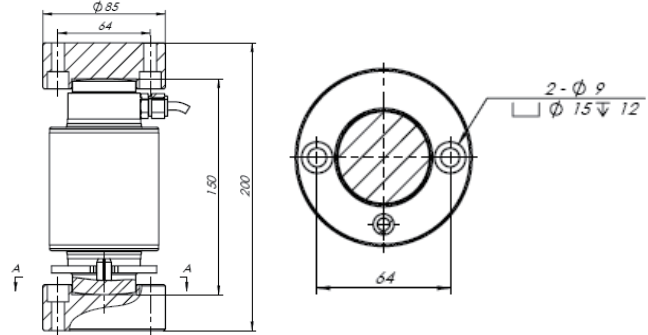
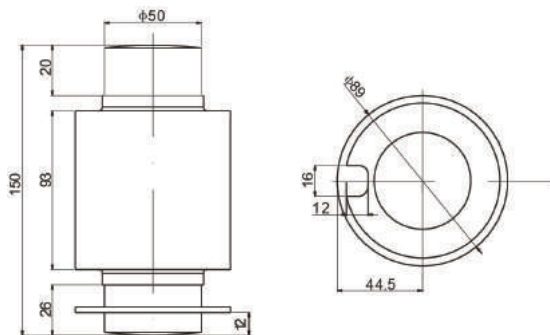
5-12VDC

Protection

IP68

M36i M36D

* Dimensions in mm



Models

Part No.	120247	120248	120249	120375	120250	120251	120252	120253
Models	M36i-20	M36i-30	M36i-40	M36i-50	M36D-10	M36D-20	M36D-30	M36D-40
Capacity	20t	30t	40t	50t	10t	20t	30t	40t
U.P.(USD)	\$340.00	\$340.00	\$340.00	\$340.00	\$380.00	\$380.00	\$380.00	\$380.00
Type	Analog				Digital			
Weight					7kg			
Class					C3			